

AGM Thin Plate Lead Carbon



The NSB BLUE+ Battery® delivers ultra fast recharge and exceptional PSoC cycling performance.

- Exceptional PSoC cyclic performance 2050 cycles @50% DoD
- Design life 12+ years at 20°C (68°F)
- EUROBAT design life definition: Very Long Life (12+ years)
- Ultra fast recharge
- Shelf life of up to 24 months
- Flame retardant (UL 94 V0) and LOI of at least 28%
- Container and cover made from flame retardant UL94-V0 material, highly resistant to shock and vibration
- Lead carbon added to negative electrodes increases power and reduces sulfation
- High potential fuel savings when used with hybrid genset applications
- Operating temperature range -40°C to +65°C (-40°F to 149°F)
- State-of-the-art automated manufacturing ensures consistency and reliability
- Advanced 3 stage terminal design to ensure leak-free operation - brass terminals provide maximum performance
- Non-halogenated thermally sealed plastic casing
- Approved as non-hazardous cargo for ground sea and air transport DOT 49CFR173.159(d), (i) and (ii)

NSB 170FT BLUE+

Technical Specifications

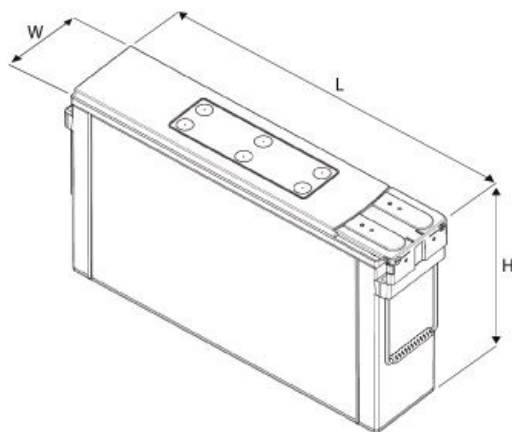
Dimensions (Nominal)

Height	11.14 in	Width	4.9 in
Length	22.1 in	Weight	116 lbs

Electrical

Terminal	Male M6
Terminal torque	9.0 Nm (81 in-lbs)
10 hr capacity to 1.80VPC @ 25°C (77°F)	170 Ah
8 hr capacity to 1.75VPC @ 25°C (77°F)	168 Ah
Float voltage @ 20/25°C (68/77°F)	2.28 / 2.27 VPC
Impedance (1Khz)	3.5 mΩ @ 25°C (77°F)
Conductance	2380 S
Short circuit current	3500 A
Maximum charge current (A)	No Limit
Operation temperature range	-40°C to +65°C
Nominal voltage	12 V

Technical Drawing



- Approved as non-hazardous cargo for ground, sea, and air transportation in accordance with US DOT Regulation 49 and ICAO & IATA Packing Instruction 806. Please see our SDS for complete details at www.enersys.com

- Complies with Telcordia® SR-4228, Network Equipment Building System (NEBS™) Criteria Levels

- The management systems governing the manufacture of this product are ISO 9001 and ISO 14001 certified